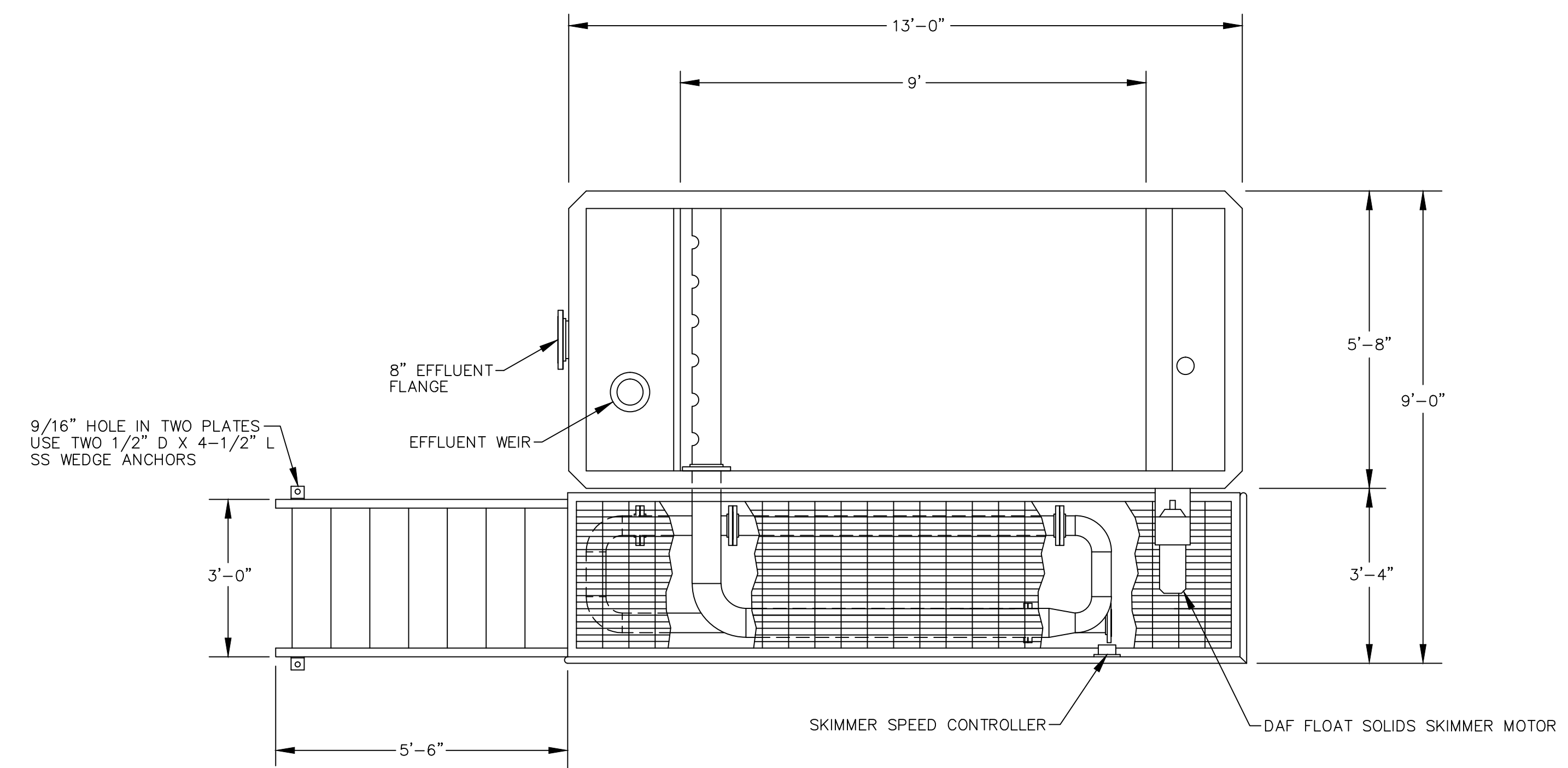


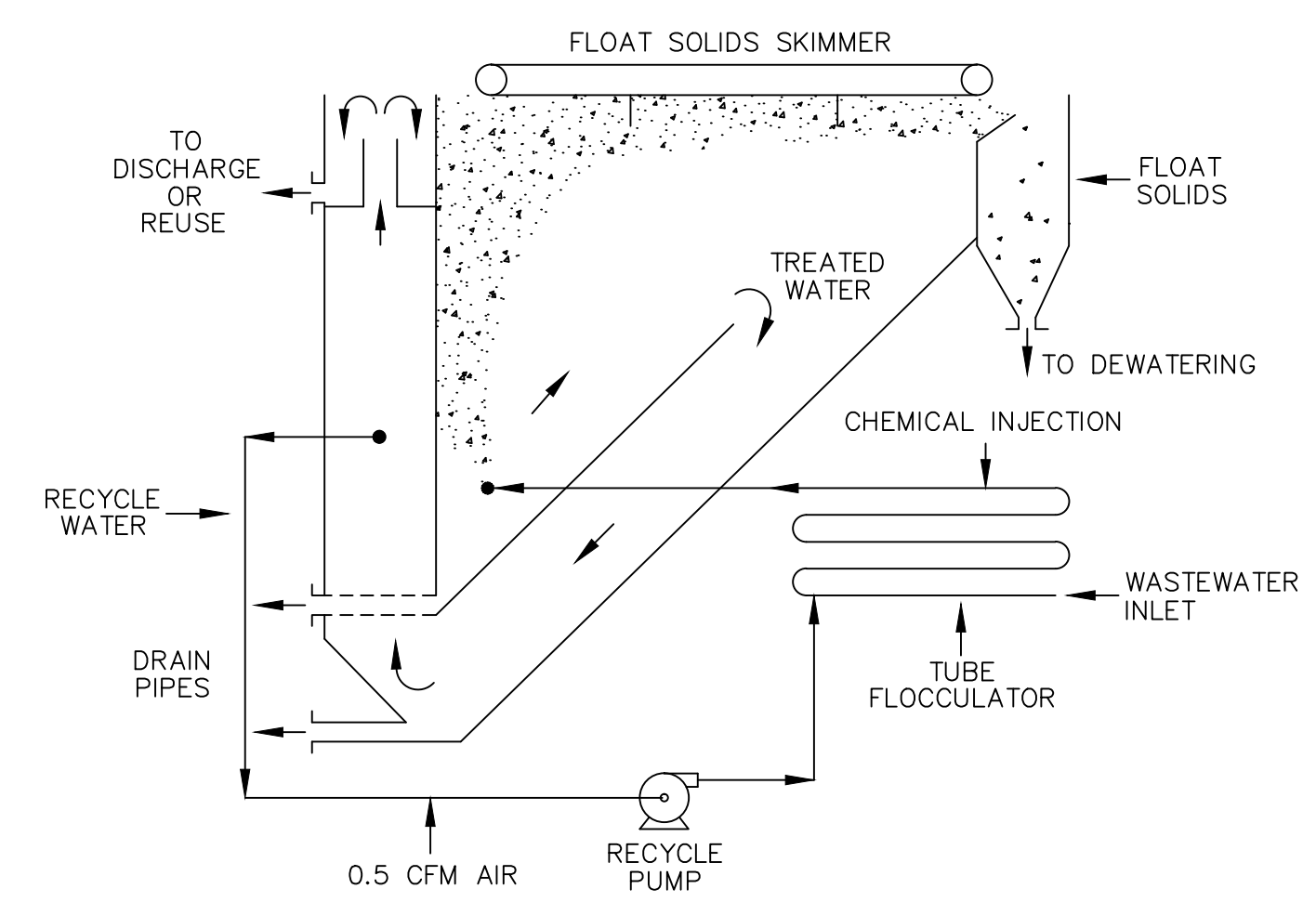
DETAIL A
TUBE FLOCCULATOR CONNECTION

APPROXIMATE WEIGHTS

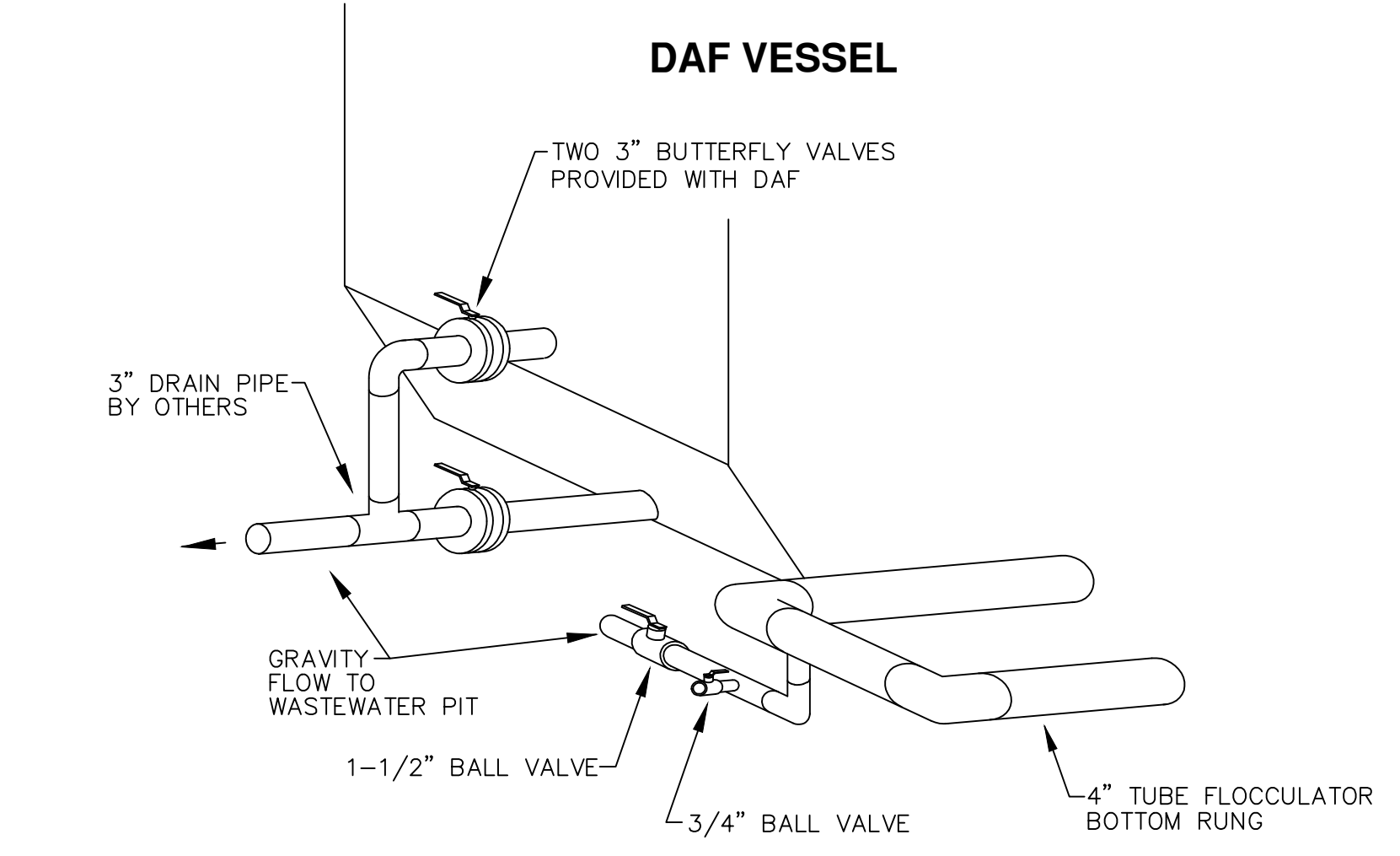
OPERATING WEIGHT	26,500 LBS.
EMPTY DAF VESSEL WEIGHT	4,800 LBS.
EMPTY TUBE FLOCCULATOR WEIGHT	1,200 LBS.
WALKWAY AND STAIRS WEIGHT	1,500 LBS.



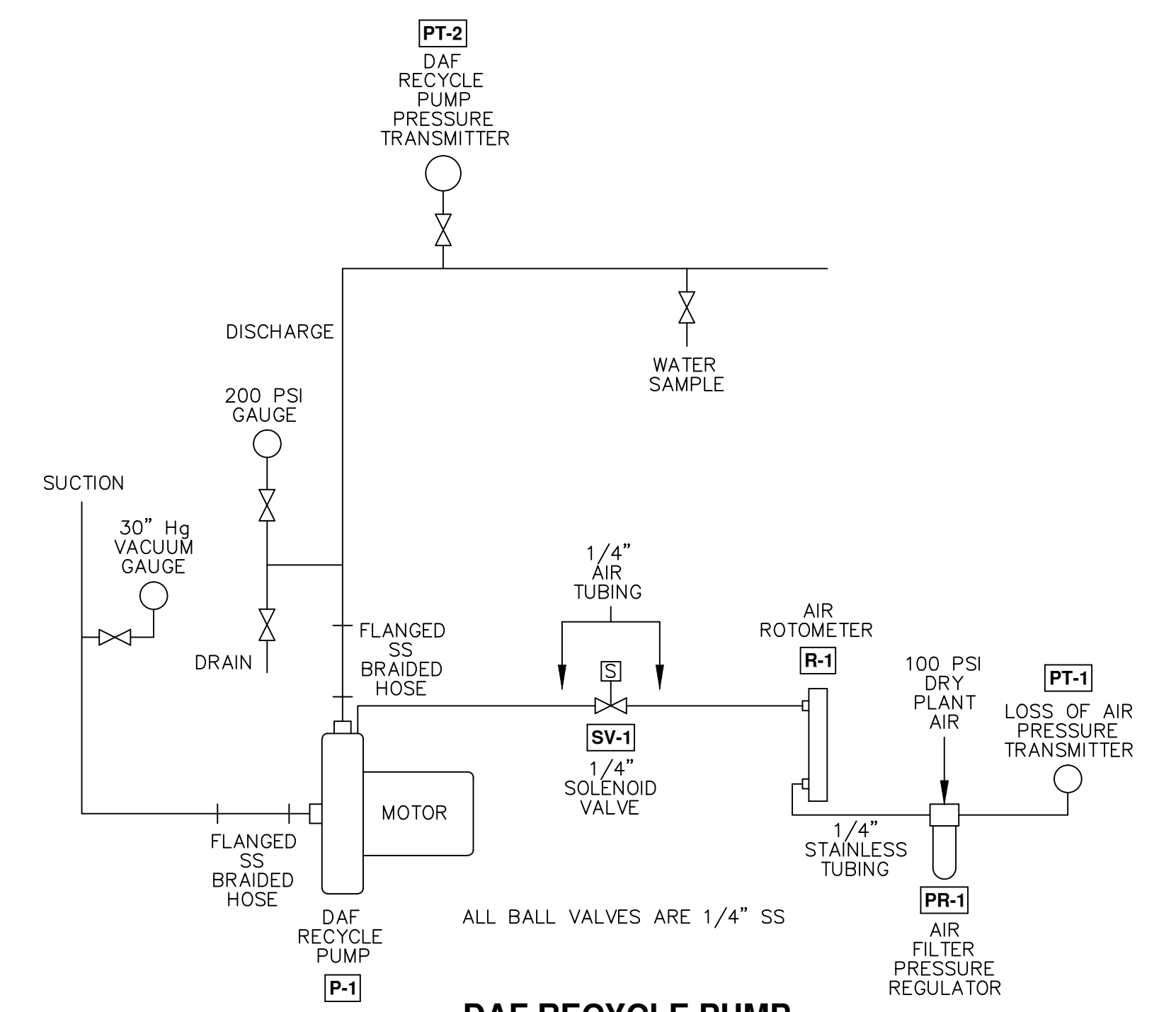
TOP VIEW



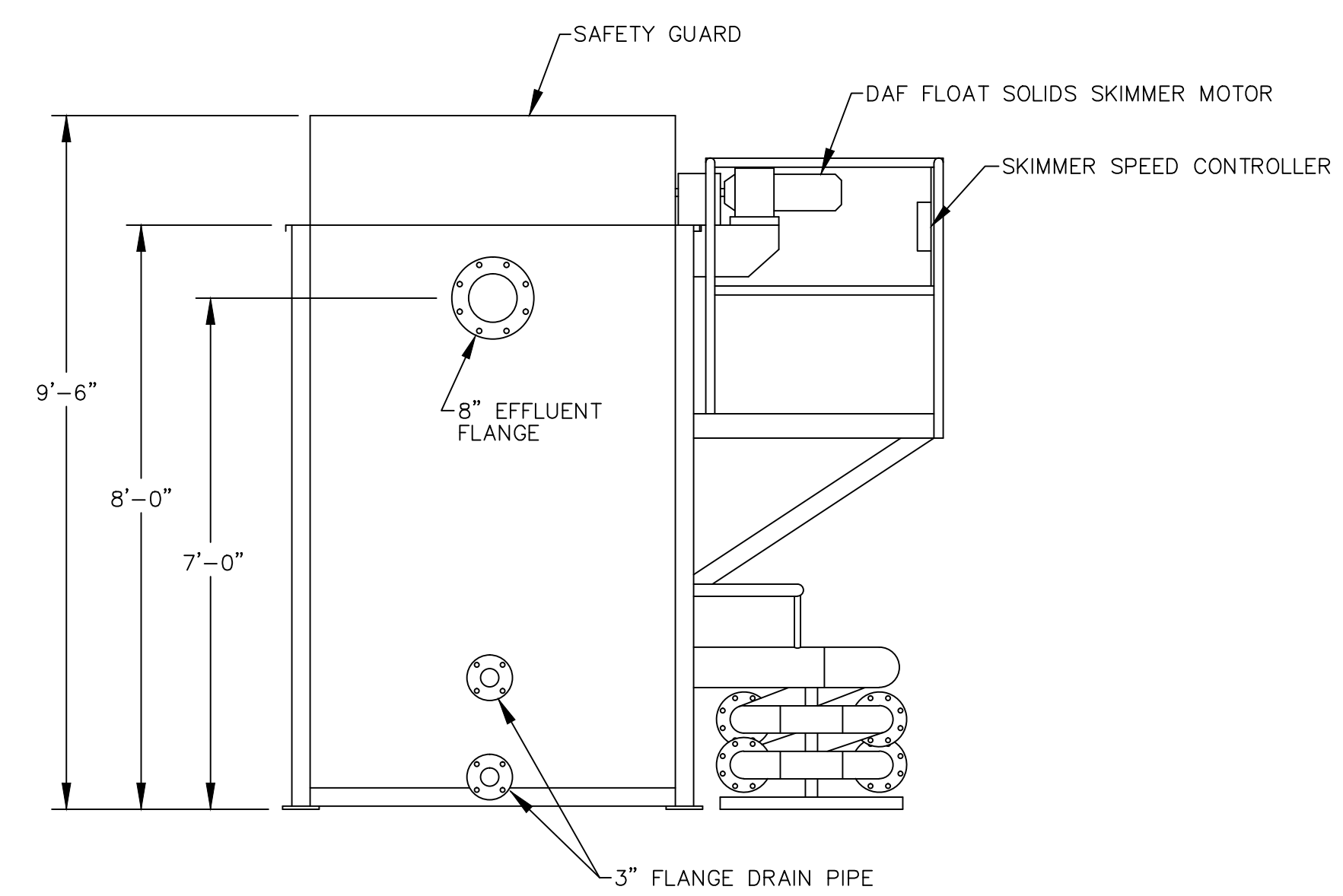
SYSTEM DIAGRAM



DRAIN PIPE DETAIL

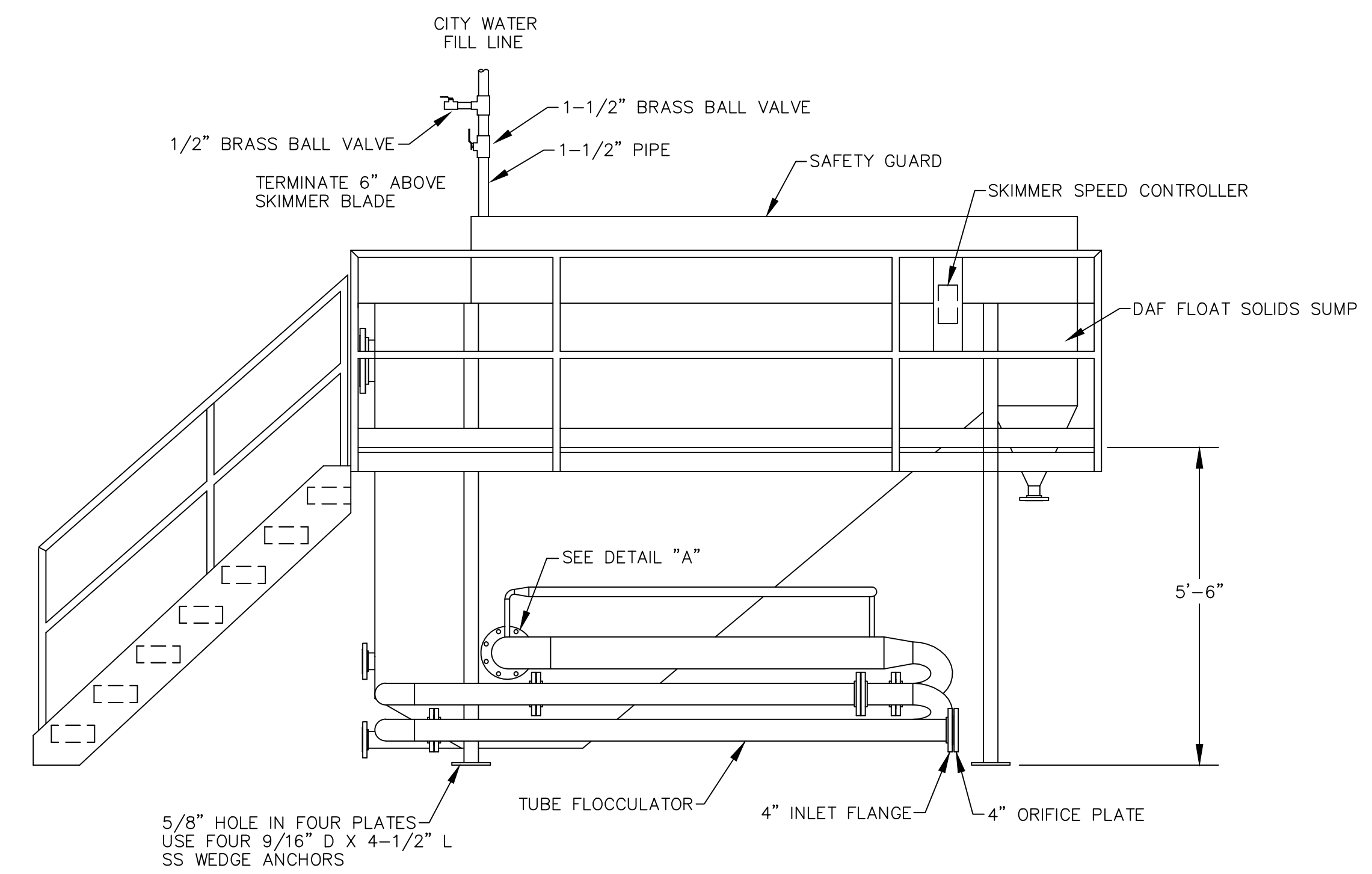


DAF RECYCLE PUMP

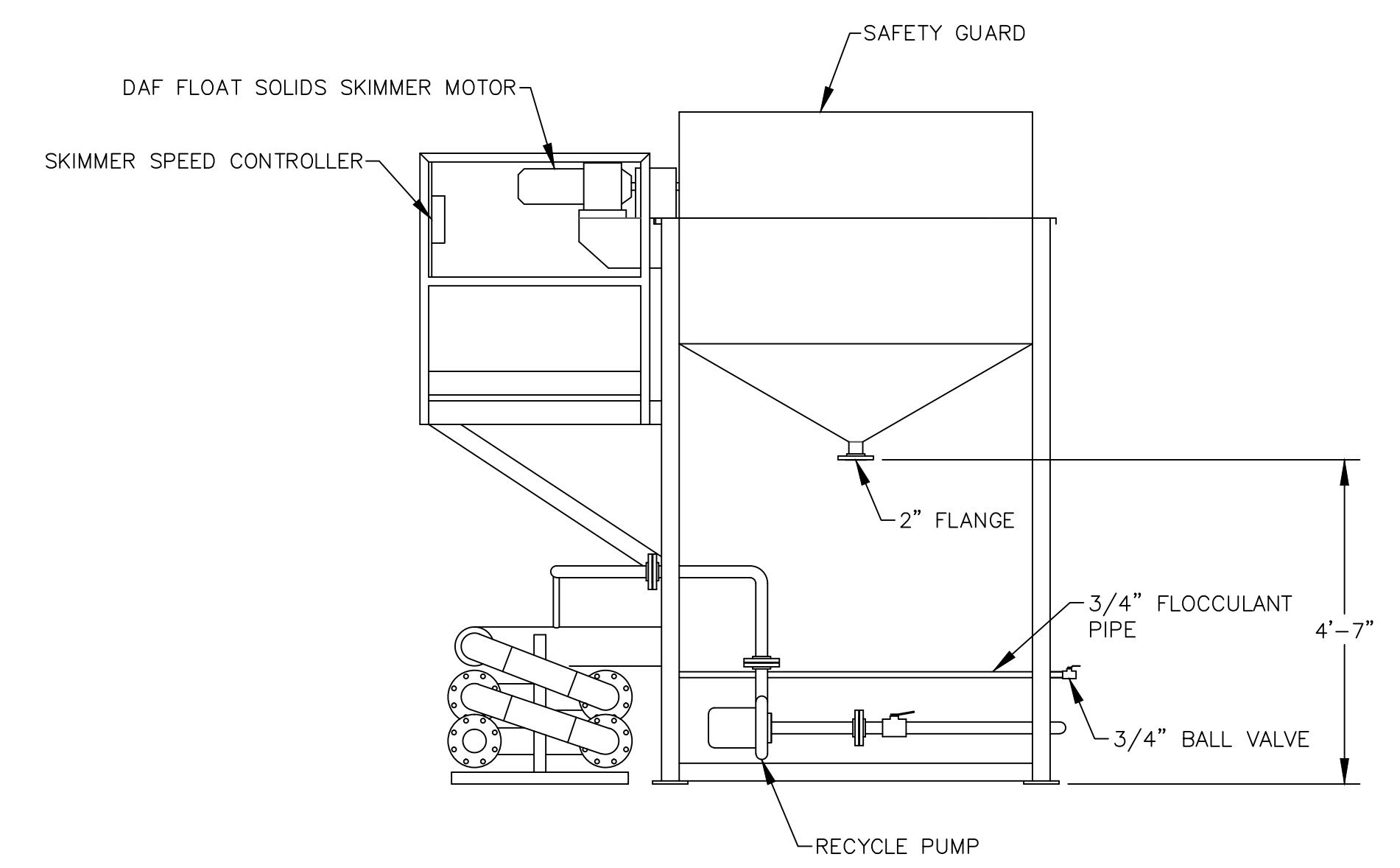


LEFT END VIEW

STAIRS NOT SHOWN FOR CLARITY



FRONT VIEW



RIGHT END VIEW

THIS DRAWING IS THE CONFIDENTIAL PROPERTY OF WATER RESOURCES, INC. THIS DRAWING MAY NOT BE USED ON ANY OTHER PROJECT. MAY NOT BE ALTERED IN ANY WAY EXCEPT BY WATER RESOURCES, INC. AND MAY NOT BE DISCLOSED TO OR GIVEN TO ANY THIRD PARTIES WITHOUT THE EXPRESS WRITTEN CONSENT OF WATER RESOURCES, INC.

PREPARED BY WATER RESOURCES, INC. FOR:

200 GPM DISSOLVED AIR FLOTATION WHITEWATER SYSTEM

WATER RESOURCES, INC.
 P. O. BOX 470 AUBURN, ALABAMA 36831
 TEL 334.821.1135 FAX 334.821.2451

DRAWING TITLE	200 GPM DISSOLVED AIR FLOTATION WHITEWATER SYSTEM		
DATE	10/10/11		
SCALE	1/2" = 1'-0"		
SHEET	1	OF	1
REVISION			

DAF DETAILS